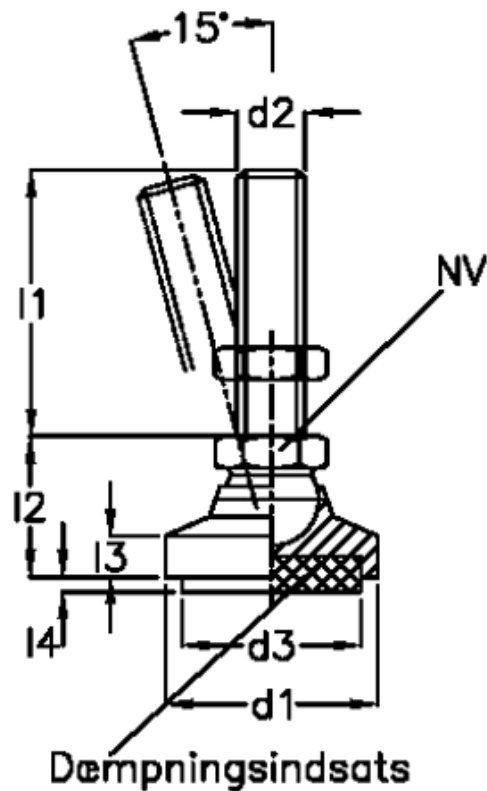


Article number: 20956506
 Description: E+GLEvelling foot
 GN 342.2-50-M12-63-SV

Measures



Area(m2) damping insert = 1809	l4 compression 0.4 N/mm2	= 5.3
d1 = 50	l4 compression 0.6 N/mm2	= 4.4
d2 = M12	Load (N) by compression 0.4 N/mm2	= 720
d3 = 48	NV	= 18
l1 = 63	t	= 11.5
l2 = 30.5		
l3 = 9.0		
l4 compression 0 N/mm2 = 6.5		